

OEM RFID-Module ADMITTO-A (USB interface)

ADMITTO-A

Interface: USB

Versions:

Standard	RFID Technology	Special Feature
ADMITTO-A-1200-D	LEGIC® prime / advant Basis LEGIC® SM 4200M	Multi-ISO platform ■ LEGIC prime/advant ■ MIFARE Classic DESFire EV1, EV2, EV3 ■ ISO14443 A+B ■ ISO15693
ADMITTO-A-1400-D	LEGIC® prime / advant basis LEGIC® SM 4500M <i>Note:</i> <i>Supports the initialization of</i> <i>LEGIC transponder medias</i>	
ADMITTO-A-2000-D	125 kHz	
ADMITTO-A-3100-D	MIFARE Classic MIFARE DESFire EV1, EV2, EV3 (Basis NXP)	

Designs:



Table design



Mounting design

Note: With Windows 10 and higher, the driver required for the ADMITTO-A is already included in the operating system. No driver needs to be installed!

OEM RFID-Module ADMITTO-A (USB interface)

General Data

Applications

- Universally applicable for reading and writing of RFID transponder media
e.g. for
 - Data collection
 - Cashless payment
 - PC-access
 - Writing of biometric data (fingerprint template)
 - General read- / write applications

Special features

- Shapely and compact plastic casing with bottom or mounting plate of stainless steel
- Directly applicable to metal substrate

Technical data

- Power supply
4,5 - 5,5 V/DC (direkt from USB)
- Power consumption

ADMITTO-A-1200	max.	2,2 W
ADMITTO-A-1400	max.	2,2 W
ADMITTO-A-2000	max.	2,2 W
ADMITTO-A-3100	max.	2,2 W
- Temperature range:
 - storage temperature -30°C to +70°C
 - operating temperature -25°C to +60°C
- Standard colour RAL 7015

Protection class

- table design IP 40
- mounting design IP 66

Dimensions and Weight

- Table design
112 x 54 x 27 mm (LxWxD)
Weight: 205 g
- Mounting design
112 x 54 x 45 mm (LxWxD)
Weight: 165 g

Interface

- Table design
USB / Version 2.0
- Mounting design
USB / Version 2.0

Signal elements

- 3 LEDs green, yellow, red

USB- connection cable

(type of connection / length / color)

- Table design
 - USB male connector: Type A
 - Cable length: approx. 2 m
 - Color: black
- Mounting design
 - USB male connector: Type A
 - Cable length: approx. 15 cm
 - Color: black

Function mode

- Composite Device

CDC (Communication Device Class)
or
HID (Human Interface Device)



Configurable with PC-Tool

Firmware / Software protocols

- "active sending" / can be parameterized
- phg_crypt
- transparent LEGIC instruction set (only for LEGIC licensee)
- phg 1685
- LEGIC RW_01
- LEGIC RW_01_advant
- OSDP
- additional on request



The support and availability of the different software protocols depends on the current RFID-technology and available RFID reader hardware.

Detailed information on request

OEM RFID-Module ADMITTO-A (USB interface)

Supported transponder medias



The support of the transponder media listed below is generally dependent on the respective variant reader technology (hardware platform) and on the respective reader firmware. The listing of the transponder media is without guarantee of completeness. Further information can be received on request.

Transponder medias	RFID technology		
	LEGIC ADMITTO-A-1200 ADMITTO-A-1400	Mifare ADMITTO-A-3100	125 kHz ADMITTO-A-2000
LEGIC MIM 22 / MIM 256 / MIM 1024	X		
LEGIC ATC512-MP110 (ISO 14443A)	X	X (CSN/UID)	
LEGIC ATC2048-MP110 (ISO 14443A)	X	X (CSN/UID)	
LEGIC ATC4096-MP310 (ISO 14443A)	X	X (CSN/UID)	
LEGIC ATC4096-MP311 (ISO 14443A)	X	X (CSN/UID)	
LEGIC AFS4096-JP10/JP11 (ISO 14443A)	X	X (CSN/UID)	
LEGIC ATC128-MV210 (ISO 15693)	X		
LEGIC ATC256-MV210 (ISO 15693)	X		
LEGIC ATC1024-MV110 (ISO 15693)	X		
ISO 14443A-Transponder(UID/CSN)	X	X	
ISO 15693-Transponder(UID/CSN)	X		
SONY FeliCa subset	X		
INSIDE Secure (UID/CSN)	X		
Classic 1k / 4k	X	X	
DESFire 4k	X	X	
DESFire EV1, EV2, EV3: 2k / 4k / 8k	X	X	
Transparent, ISO14443A		X	
Transparent, ISO14443A Layer 3	X		
Transparent, ISO14443A/B Layer 4 subset	X		
Transparent, ISO15693 Layer 3	X		
Transparent, NFC Forum Type 2 Tag	X		
Transparent, NFC Forum Type 3 Tag	X		
hitag 1			X
hitag 2			X
hitag S			X
µem 4102 (read only)			X
µem V4150			X



Attention:

Recommendation at use of smart card chips for LEGIC “card in card“Solutions

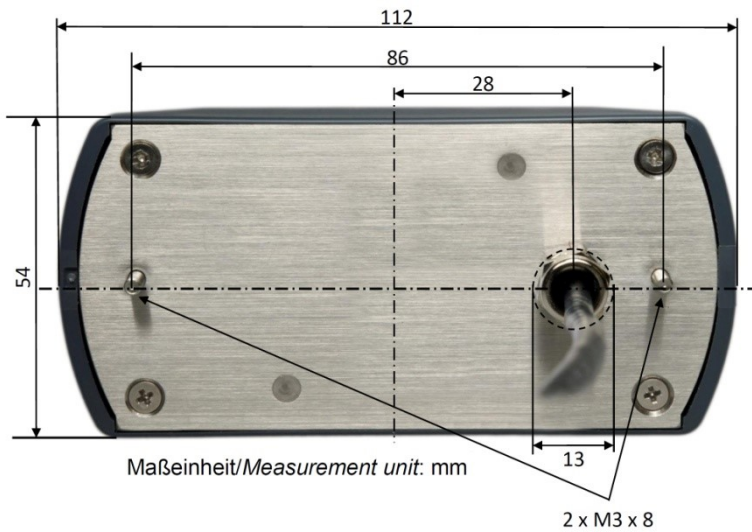
A aptitude examination of the corresponding medium should be carried out before use or intended use.

Detailed information about the procedure are available on request.

OEM RFID-Module ADMITTO-A (USB interface)

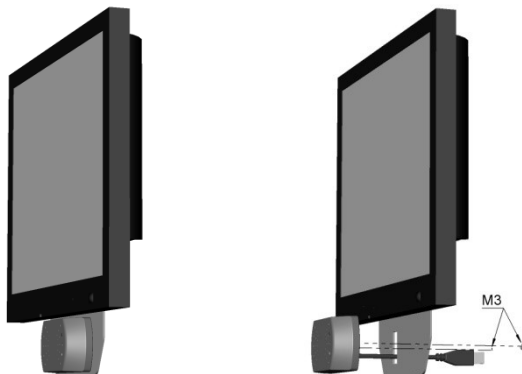
Mounting design

Dimensions

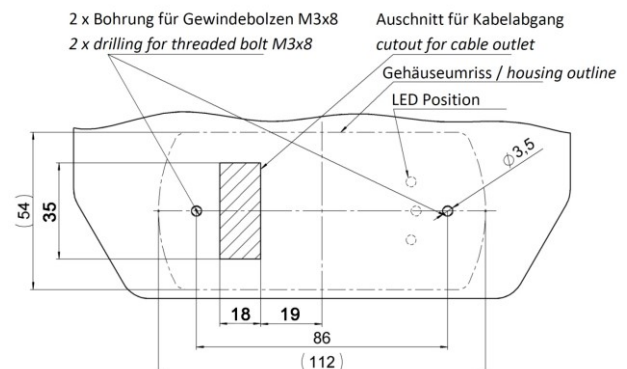


Mounting example

Touch-panel PC



Dimensions of the installation mounting angle (recommendation)



EG Conformity

The device complies with the essential legal requirements, if used for its intended use.
The EG-Declaration of Conformity can be received on request.

Care and cleaning instruction

The use of hard or sharp objects (rings, fingernails etc.) can cause scratches and damage the device.
Wipe the device with a soft lint-free cloth, or one that has been lightly dampened with water.
The use of caustic liquids such as benzene, thinners, alcohol, solvents, or any kind of abrasive cleaners will lead to surface deterioration and damage.