

Family datasheet SIEDLE OEM reader module

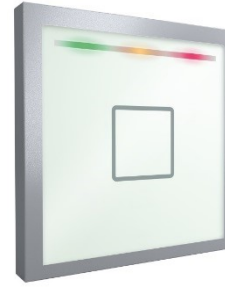
SIEDLE-B (Vario and Steel)



Black – with keypad



White – with keypad



White/Grey – without keypad

- customized modifications possible -

Product designation

Variant	RFID technology
SIEDLE-B-1260-A	Multi ISO reader (Basis LEGIC® 4200M) <ul style="list-style-type: none">▪ LEGIC® prime / advant▪ Mifare classic / DESfire / EV1 / EV2▪ ISO 14443 A+B / ISO 15693 <p><i>Note: LEGIC media cannot be initialized!</i></p>

Interface variations

- RS 485
- Magstripe Clock / Data
- Wiegand D0 / D1

Fields of application

- Access control
- Time and attendance
- Data collection
- Parking systems
- General user identification

Special features

- Noble glass design
- Capacitive touch keypad
- Backlit symbols and digits
- Expansion slot for pluggable modules (relay or BLE or SAM or Südmetall Funk)
- Sabotage detection
- Integrable into the standard SIEDLE housing infrastructure of door communication systems
- Occupies the space of only one module
- Available in common manufacturer's colors
- Signal elements
 - Three status LED (multicolor/RGB)
 - 1 speaker for acoustic signalization

Firmware / Software protocols

- phg_crypt
- Magstripe Clock / Data, Format: trace 1 or trace 2 (adjustable)
- Wiegand D0 / D1, Format: 26, 34, 56 Bit, D0/D1 universal (adjustable)
- OSDP
- Customized modifications possible

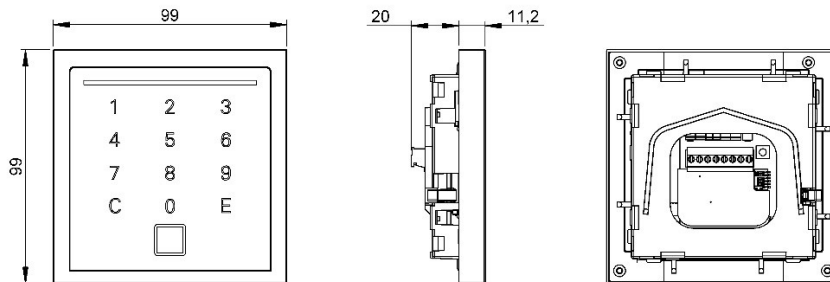
Family datasheet SIEDLE OEM reader module

Technical data

Product designation	Nominal voltage [V _{DC}]	Nominal power [W]	Temperature ranges [°C]		Max. Dimensions [mm]	Weight [g]
			Storage	Operation		
SIEDLE-B-1260-A	8 ... 30	2,5 ... 3,5	-30 ... +70	-25 ... +60	H: 99 W: 99 D: 32	120

Protection class: max. IP 54 if installed correctly

Dimensions



Supported transponder media



The support of the media named in the table below, generally depend on the variant or reading technology (hardware platform) as well as the firmware of each reader module.

Compatibility Transponders / Hardware platform LEGIC SM 4200 M		
RF standard	Supported LEGIC transponders	Supported third-party transponders **
LEGIC RF standard	MIM22, MIM256, MIM1024, CTC4096-MP410	
ISO 14443 A (also NFC Forum Type 2/4A Tag *)	ATC512-MP, ATC2048-MP, ATC4096-MP, CTC4096-MP410, AFS4096-JP	ISO 14443 part 3/4 compliant: e.g. Infineon SLE, SmartMX Integrated support of MIFARE Ultralight, MIFARE Classic, MIFARE Plus and MIFARE DESFire NFC peer-to-peer target
ISO 14443 B *** (also NFC Forum Type 4B Tag *)		ISO 14443 part 4 compliant: e.g. InfineonSLE
ISO 15693 (also ISO 18000-3 mode 1)	ATC128-MV, ATC256-MV, ATC1024-MV	Selected types: e.g. EM 4035, Infineon SRF55VxxP, Tag-It HFI
INSIDE Secure (UID only)		INSIDE Secure compliant
SONY FeliCa subset (NFC Forum Type 3 Tag *)		SONY FeliCa **** NFC peer-to-peer target
<p>* Passive mode, initiator</p> <p>** Access with transparent mode (dedicated commands for MIFARE transponders)</p> <p>*** If ISO 14443 B (2001) transponders are used, only one transponder is allowed in the RF field. This restriction does not apply to ISO 14443 B (2008) transponders.</p> <p>**** The SONY FeliCa protocol is supported according to ISO 18092 (6 byte preamble). Older FeliCa cards with a shorter preamble are not supported.</p>		

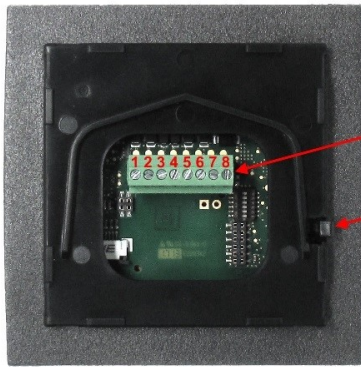
Reference source: LEGIC Ident Systems

Family datasheet SIEDLE OEM reader module

Functionally tested transponder media	
Transponder type	SIEDLE-B-1260-A Basis LEGIC SM4200M
LEGIC MIM 256	X
LEGIC MIM 1024	X
LEGIC ATC256-MV410 (ISO 15693)	X
LEGIC ATC2048-MP110 (ISO 14443A)	X
LEGIC ATC4096-MP310 (ISO 14443A)	X
LEGIC ATC4096-MP311 (ISO 14443A)	X
LEGIC AFS4096-JP10/11/12 (ISO 14443A)	X
LEGIC ATC1024-MV010 (ISO 15693)	X
LEGIC ATC1024-MV110 (ISO 15693)	X
LEGIC CTC4096-MP410 (Prime)	X
LEGIC CTC4096-MP410 (ISO 14443A)	X
LEGIC CTC4096-MM410 (Prime)	X
LEGIC CTC4096-MM410 (ISO 14443A)	X
LEGIC CTC4096-MM410 (ISO 15693)	X
Mifare Classic 1k	X
Mifare Classic 4k	X
Mifare DESFire EV1	X
Mifare DESFire EV1 70pF	X
Mifare DESFire EV1 120pF Speed	X
Mifare DESFire EV1 8K	X
Mifare DESFire EV1 8K 70pF Speed	X
Mifare DESFire EV2 4K	X
Mifare DESFire EV2 8K	X

Family datasheet SIEDLE OEM reader module

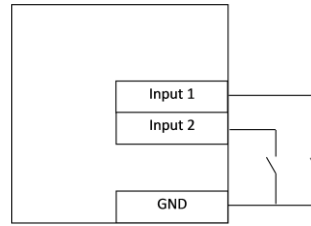
Pin assignment connecting terminal ST1



Reader module rear view with connecting terminal

Connecting terminal ST1

sabotage switch



General hardware wiring

Connecting terminal ST1 (8-pin screw terminal)-

Connection line solid core: 0,09 ... 1,5 mm² / strip length: 6 - 7 mm

Connection line multi-wired: 0,09 ... 1,5 mm² / strip length: 6 - 7 mm

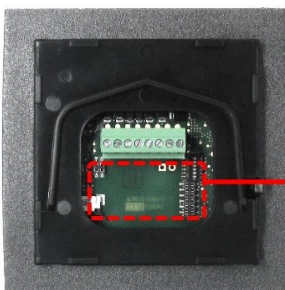
Pin No.	RS 485	Magstripe Clock / Data		Wiegand D0 / D1		Function
1	RS485 Data "A"	n.c.		n.c.		Depends on the firmware
2	RS485 Data "B"	n.c.		n.c.		
3	Output 1	Data	Open collector „active low“ max. 10 mA	D1	Open collector „active low“ max. 10 mA	
4	Output 2	CLK		D0		
5	Input 1	Input 1		Input 1		
6	Input 2	Input 2		Input 2		
7	GND					Power supply
8	+Ub (8 ... 30 V _{DC})					

External pluggable modules

Optionally, the SIEDLE-B reader can be equipped with an external pluggable module, such as:

- SAM
- Südmetall Funk
- BLE
- RS 232
- Relay

Following images show exemplarily the reader module without pluggable module (left) and with pluggable relay module (right). Please keep in mind that only one of the provided modules can be plugged.



Without pluggable module



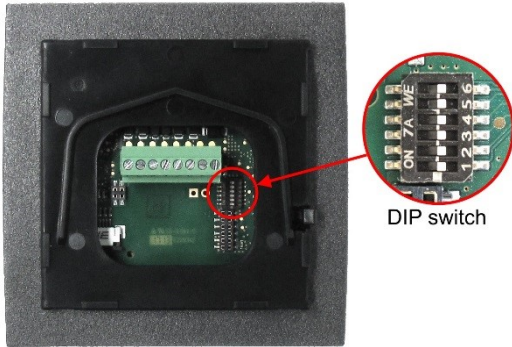
with pluggable module

Further information about the pluggable modules you find in the respective accessories' family datasheet.

Family datasheet SIEDLE OEM reader module


Function DIP switch

DIP switch (6-pole)



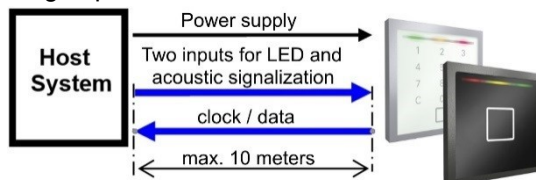
DIP switch

DIP switch (6-pole, S1 to S6)	
DIP switch	Function
S1	Depends on the firmware e.g. configuration of the reader address, baud rate, terminating resistor for RS 485
S2	
S3	
S4	
S5	
S6	

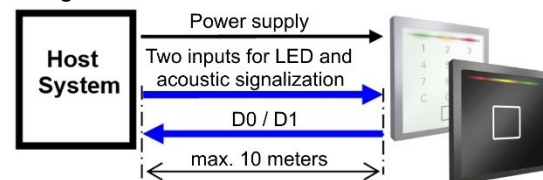
 The appropriate wiring diagram is provided to each reader. It also includes the DIP switch configurations

Possible configurations

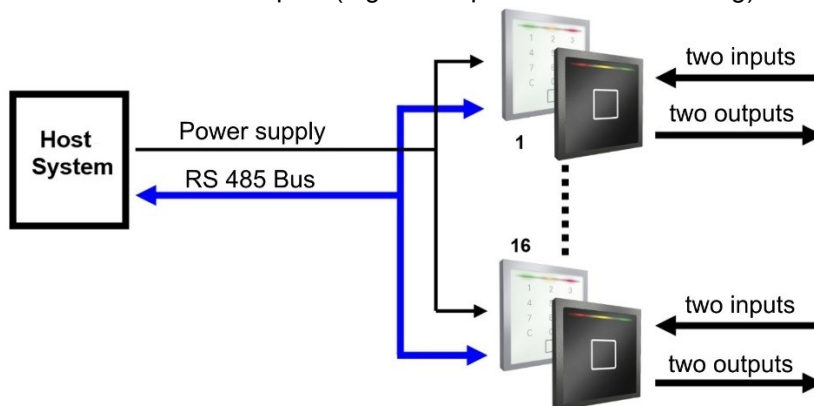
Magstripe Clock/Data



Wiegand D0/D1



RS 485 Bus with two inputs (e.g. door opener / door monitoring)

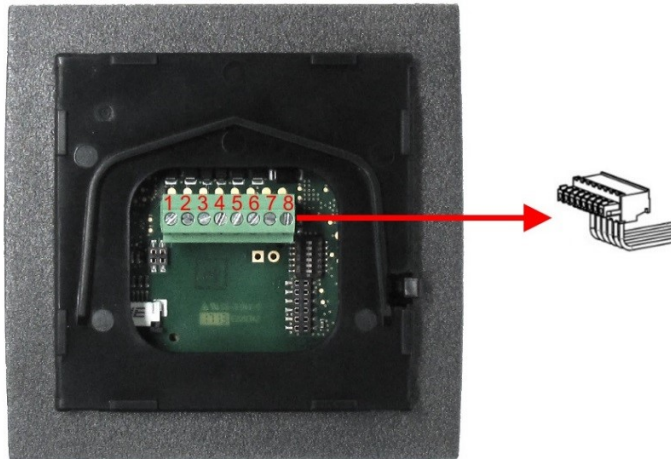


Family datasheet SIEDLE OEM reader module

Installation

Mounting preparation

Lay the connection cable and prepare for connecting. Disconnect the pluggable 8-pole connecting terminal (green connecting terminal in following picture) and connect it according the corresponding wiring diagram.

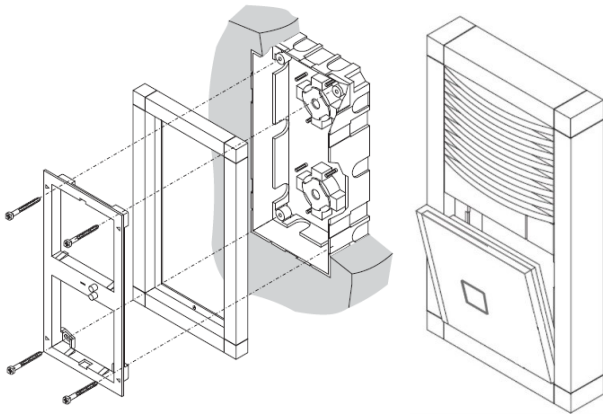


Rear view of the reader incl. sealing

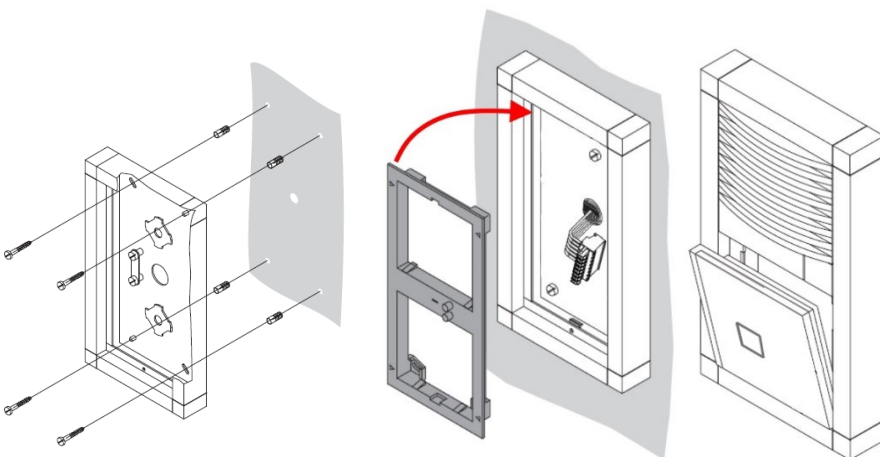


Attention ! The wiring of the reader module have to be carried out in a de-energised state, i.e. the supply voltage may be switched on only after the complete assembly.

Flush-mounted variant



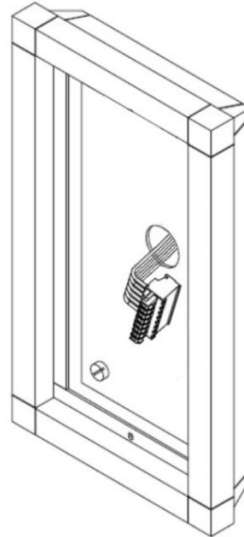
Surface-mount variant (cable entry through the rear module)



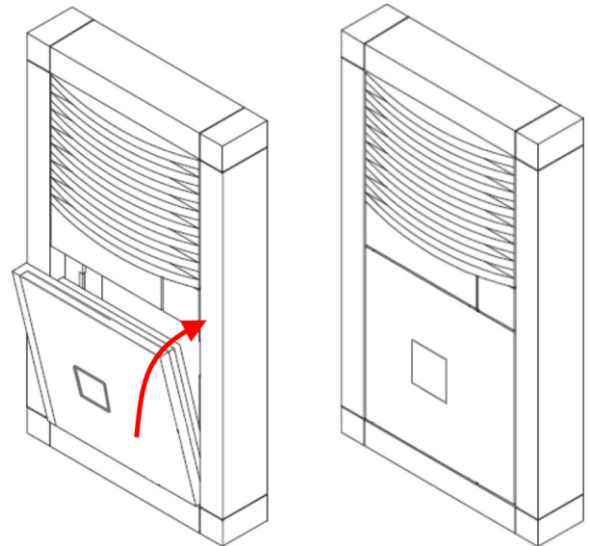
Family datasheet SIEDLE OEM reader module

Connection and installation of the reader

- 1 Install the SIEDLE module professionally according to the SIEDLE Vario installation instruction
- 2 Plug the wired connection terminal to the reader module.



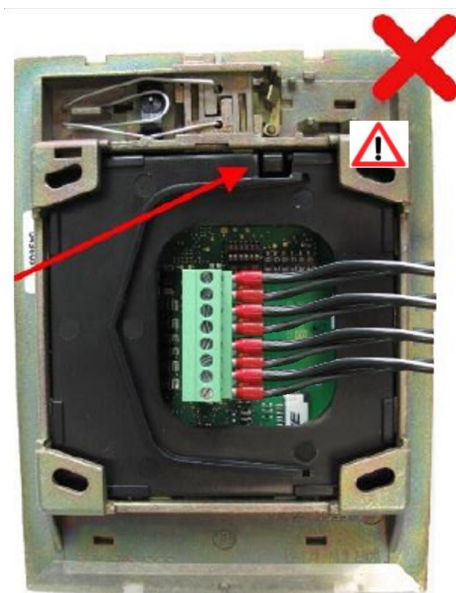
- 3 Press the reader module on the opposite side of the moveable locking latch with light pressure and snap it into the moveable locking latch.



Attention!

Please pay attention that the sabotage detection switch (red marked in adjacent picture) is not placed at the side of the moveable locking latch!

The sabotage function would not be supported in that case.



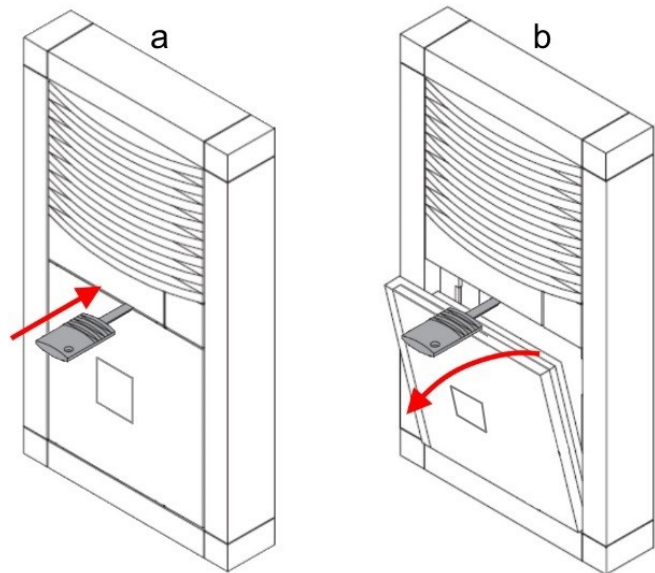
Example picture – rear view

Family datasheet SIEDLE OEM reader module

Disassembling of the reader module

To detach the reader module put in the VARIO key with light pressure into the release opening (a). Afterwards the reader module can be removed (b).

Note: The VARIO key (unlocking tool) is not included in the delivery.



Family datasheet SIEDLE OEM reader module

General information

Influences (reduction) of the reading distance

An influence of the reading distance can have more reasons.

This is a list of facts that reduce the reading distance:

- Shielding the data carrier by metal materials, e.g. ec card in the wallet, key tag on a bunch of keys
- No optimum coupling, i.e. the antenna surface of the data carrier is vertical (90°) to the reader's antenna surface
- Data carrier itself
 - key tag (small active antenna surface)
 - poor resonance of the data carrier (IC card / key tag)
 - combined ID card (e.g. LEGIC® / inductive, mifare/inductive, etc.)
- Metal in the "active" surface of the HF field. The transmitting energy is reduced. This point is mainly relevant, when the reader components are integrated in metal cover plates (including metal pillars etc.).

Conformity statement

This product complies to the common legal requirements if used according to regulations. We provide you the EU declaration of conformity on demand.

Care and cleaning instruction

The use of hard or sharp objects (rings, fingernails etc.) can cause scratches and damage the device.

Wipe the device with a soft lint-free cloth, or one that has been lightly dampened with water.

The use of caustic liquids such as benzene, thinners, alcohol, solvents, or any kind of abrasive cleaners will lead to surface deterioration and damage.

Waste Disposal



This product **must not** be disposed in normal household waste!